

KGK JET HQC

Piezo-ceramics Driven Drop-on-Demand
Technology For Printing Characters Height
From 2mm To 25.4mm



www.kgkjetindia.com

Best Printer for Secondary Carton Coding Applications

Two Different Head Types Can Be
Selected As Per The Usage



KGK JET HQC

The printable size with HQC is 2~25.4mm
This is replacement of Roller Coder
and Valve type ink jet printers.



Example For Installation Of
Height Adjustment Stand
(Optional Product)



HQC Operation

Fig 1 :



HQC Separate Model

Fig 2 :



HQC Inbuilt Model

- **Lightweight / Compact / Easy to use**
- **Customer can easily install and adjust all by himself**
- **Lightweight compact body pursuing "Easy to use by anyone"**

- This display character is large and clear.
- The operation button adopted a large color-codes button, and made it all in English notation.
- Editing of printed content is mobile phone feeling, any one can operate easily.
- With all-in-one design, accessories can be stored neatly in the body.
- Compact design makes it easy to retrofit existing lines.

- **Value For Money-Ink Jet Printer Providing Desired Functions**

- Operation is extremely simple and user friendly
- Inbuilt level instrument for perfect fixing.
- Inbuilt product sensing sensor.
- The print start command and 3 output signals can be connected to the external device.
- If you connect with a personal computer, you can use it with confidence by backing up when it is possible (communication cable, software required).
- Copying of data between two machines is possible by connecting the two controllers with a communication cable
- Numbering, Auto calendar and expiry period print function is available.

- **Reliable head & Ink (In-house Development)**

- Indigenously developed head aiding mechanism to prevent the head damage & can do serviceability.
- Inhouse developed own oil based ink.
- Preventive mechanism in case of insertion of wrong ink bottle is adopted

- **Multi specification (only HQC)**

- Master slave control, A prominent feature can be achieved between two systems.
- Message switchover, Time/Numbering synchronization, Start/Stop switchover and End process are important attributes.
- Direct weighing machine interface with HQC Printer. (Optional)
- Message transfer from external PC through Rs. 232.
- Separate Model : The head reservoir and main body are separated. Refer Fig 1.
- Inbuilt Model : Head reservoir and main body are attached as single unit. Refer Fig 2.
- All the above functionalling are applicable for both inbuilt & separate models.



User Friendly Display Screen
And Easy Operation
Main Body Weight Is Just 3 Kg



Slant control



Character height is changed
with the setting of print head
angle.

Print sample

Character height 10 mm (HQC)

0 1 2 3 4 5 6 7 8 A B C D E F G H I

Character Height 18 mm (HQC)

製造年月日 05.08.29 A B C
賞味期限 06.04.28

Character Height is 25 mm (HQC)

H Q C 32X32キット
No. 00099

Character height is 40 mm (HQ3200)

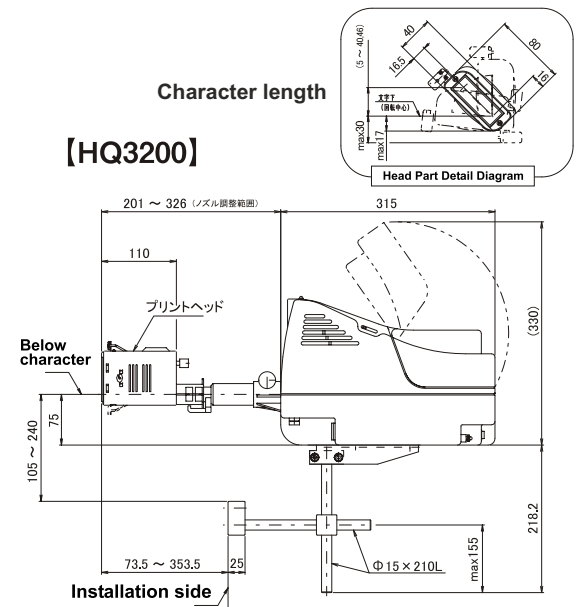
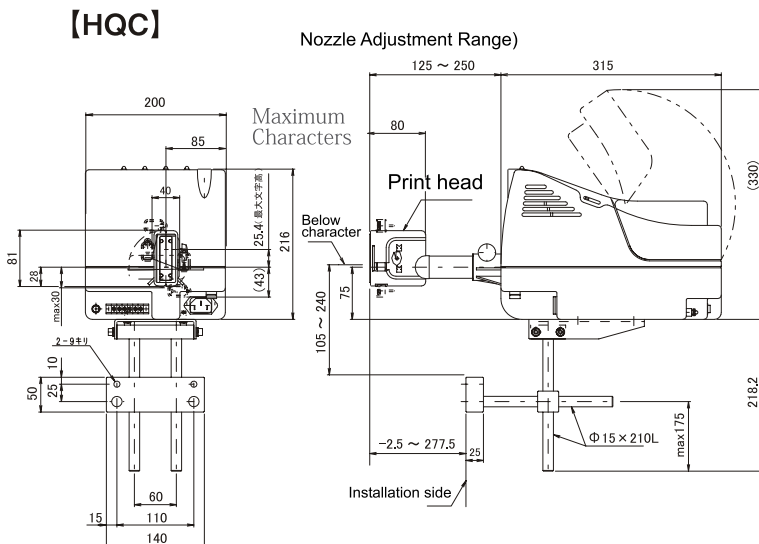
H Q 3 2 0 4 1 E 3 5 9
2 0 9 0 4

Specifications

Item	32ch Head	128ch Head
Print method	Piezo Ceramics Operation on Demand	
Corresponding maximum line speed	200m/minute, (Density 1) ~ 31m/minute (Density 9)	200m/minute (Density 1) ~ 67m/minute (Density 9)
Nozzle array	32 nozzles, 2 holes/nozzle	32 nozzles, 7 holes / Nozzle
Ink ejection	Side way only	
Printing lines	2 lines	
Character Height	1 - 20mm (slant control) 25.4mm (when vertical)	5mm to 46 mm
Head count	1 head	
Ink type	CK Black / CK red	BA Black
Inbuilt Accessories	Photo electric sensor (Head fixed type / External type), I/O Input	
Number of printing stage	1 step (32x32 dots), 2 steps (16x16 dots)	
Registered message count	30 messages	
Character type	Alpha numeric/Symbol/Katakana/Kanji (96 characters) / User registration character (register the180 characters selected optionally by the customer before shipment)	
Character font	Gothic (16 dot font is Bold and microscopic selection possible)	
Date and Time print	Year (Western/Japanese Calendar), Month, Date, Time (12/24 H), Minutes, Free format, Offset value settings possible, Calendar character allocation function	
Numbering	Maximum 8 digits, UpDown, Repeat, Incremental value setting	
Bar code	Not possible	
Logo	Possible to load from PC	
External Interface	I/O : Output 3 points (Ready / Ink low / Alarm)	
	Rs232C°Can be used only for Data backup/Restore/Software version up grade Direct weighing machine interface through RS232 serial communication	
Use environment	5 to 35℃, 10 to 80% RH (without condensation)	
Power source	AC230V ± 10% 50HZ / 40W	Ac230 V ± 10% 50HZ / 50W
Earth connection	D type earth connection	

Dimensional drawing

Display unit is mm



We reserve amend design and / or specifications without notice.