

KGK JET CHECKER PK410

KGK Print Inspection System

Featuring easy operation and more features.



www.kgkjetindia.com



It is also equipped with functionality of examining printed bar codes.

● **Our bar code reading system refers to text.**
Good for quality control including examining foreign materials.



Large color touch panel is used.

● **Most advanced technology with ease of use**
Use of 10.4 inch color touch panel allows the operator to easily find out the pin point parameter out of the variety of parameters.



Further, most of the graphic user interfaces will be displayed on the screen, thus setting works are very smooth.

Unique functionalities are found there.

Don't you feel some of the efforts to make for delicate detecting works may result in vain?

● **High precision**

PK410 maintains conventional processing of sorting out text and even has a separate inspection step for definition inspection.

Thus, appropriate level of precision is kept while a strict definition inspection can also be carried out.

Best suited for a non-stop line operation

● **High reliability**

Data shared by two auxiliary systems HDD and SSD enables high reliability for non-stop operation.



Most suitable for use in a long term non-stop operation.



PK410+CCS3000L Setting Image

Please note these inspector functionalities developed only by the reputed manufacturer for inkjet printers.

● **So, we assure our inspector will work for your production line. How our inspector and our printer co-work.**

Use of our inspector with our inkjet printer enables automatic synchronization among start/stop/switch over by product, or changing to printing lines or resetting of numbering, etc. It saves time and prevents incorrect input.

Don't worry about you spacing and the cost reduction problems with the illumination system.

● **Wide view field**

PK410 allows the triggering once will give the same effect as two shutter actuations. For each shutter actuation you can also inspect different print content or marking or bar code or font.

High capacity hard disk is our standard to come with the inspector.

It can store approx. 9.4 million jpg images for inspection.

● **It supports your quality control**

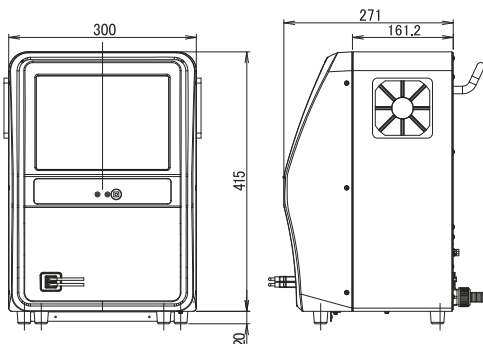
It contributes for your quality control by combining to make file records to be separately made together. The hard disk can be upgraded to save 37.6 million images.

● Specifications

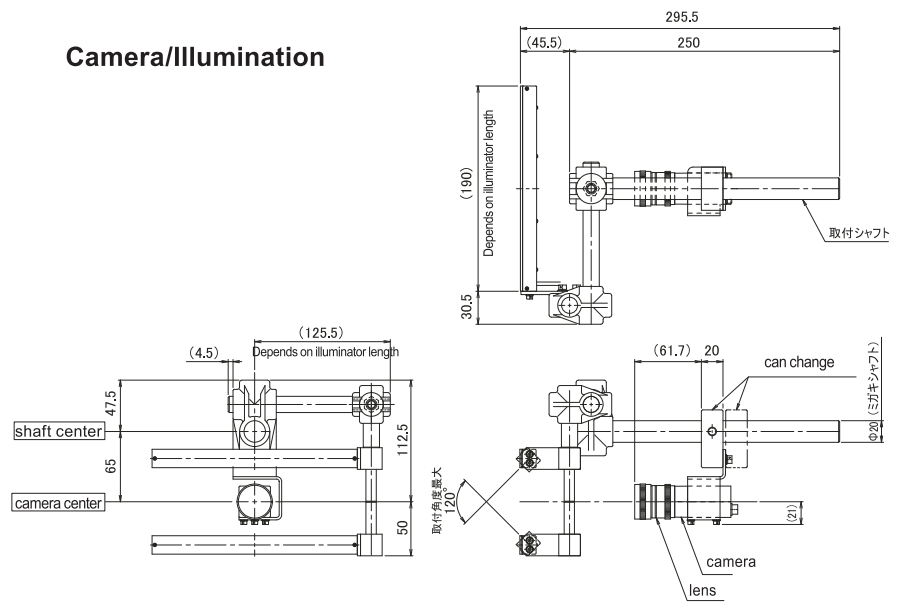
Item	Details
Number of items to be stored	1,000 max.
Number of cameras	1 or 2 One camera inspects two objects depending on conditions
Characters to be inspected	Alphanumerical, and 20 other characters to store and others depend.
What to inspect	Verification, missing characters, correctness in position, inclined print, no print, dot shortage, density
Number of characters	20 characters for each zone
To be inspected	4 zones by camera
Date and time inspection	Compatible with our printers
Character allocation system	Compatible with our printers
Bar code inspection	ITF / JAN / CODE39 / CODE128 / QR / Data Matrix
Mark inspection	Pattern matching function using a given image
Number of images to save	9.4 million images for JPG Optionally up gradable to store 37.6 million images
Input/output signal	Input up to 16, product switch over, rejection, etc. Output up to 12 Yes/No, in operation, in processing. No continuance, alarm
I/O	USB2.0×4、RS-232C×1
Capacity	60msecond for one image of 10 characters. Depending on conditions
Power source	AC100V + and - 10%, 50/60Hz, 500W AV20 available upon request
Dimensions	300 x 261.2 x 435 width depth and height in mm 100mm space required at back for connecting camera cable
Environment	5 to 35 degrees C. 20 to 80% RH No dew condensation

● Dimensional drawing

Main body



Camera/Illumination



We reserve a mand design and/ or specification without notic



KGK Jet India Private Limited

Head Office / Works
Plot No: A-29, SIPCOT Industrial Growth Center, Oragadam,
Sriperumbuthur, Kancheepuram, Tamil Nadu 602105, India
✦ marketing@kgkjetindia.com
✦ info@kgkjetindia.com
✦ www.kgkjetindia.com

Region North: Cabin # 11, Ground Floor, Logix Techno Park, Plot No. 5 Sector 127, Tower-B, Sector 127, Noida, Uttar Pradesh 201301

Region East: PS QUBE, Unit No- 604, 6th Floor, Plot Number: II D/31/1, Street No: 1111, New Town, Action Area-II D, Kolkata, West Bengal 700135

Region South: Plot No: A-29, SIPCOT Industrial Growth Center, Oragadam, Sriperumbuthur, Kancheepuram, Tamil Nadu 602105

Region West: Horizon Flora, Office No. 1 & 2, 2nd Floor, Ghodbunder Rd, Bhayandarpada, Thane West, Mumbai, Maharashtra 400615



+91 78239 71747

+91 98403 42033

Sales



+91 044 6714 1234

+91 78239 70635

Tech Support