

KGK JET CCS3100

Small Character Industrial Ink Jet Printer



compact
printhead



1mm or less



Touch Panel



1
Printhead
Only



For Pigment Ink



For Edible Ink

<http://www.kgkjetindia.com/>



Removable 10.4" coloured
touch panel

IP65 complied

Control 16 units by 1 master

Powered by SMS
(Service Management System)

Designed for high speed



Print-head with lense
to see drop formation



KGK JET CCS3100

10.4 inch coloured touch screen can be separated from host for operation, making the operation more convenient.



One master can control up to 16 slaves



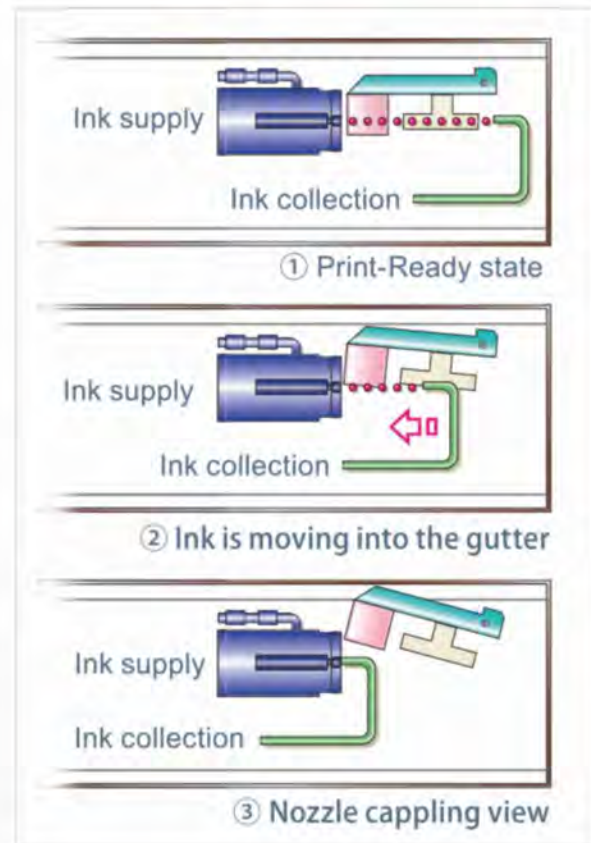
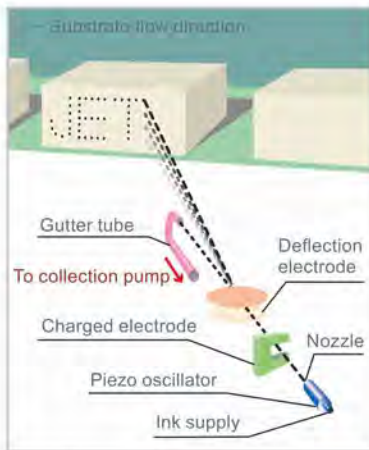
Deliver combination of functionalities and reliability

CCS 3100 our premier inkjet machine carries advanced functionalities and an intuitive user interface. The associated software supports numerous languages. Ethernet & external USB support makes it ideal coding and marking solution for a range of primary and secondary marking applications.



New Generation P-Type Print Head for High Speed Printing

available in 40µm / 50µm / 60µm nozzle



Working principle of Continuous Charging System

- The ink is continuously passed through nozzle at pressure and crystal oscillator creates ink droplets at fixed interval.
- The electric electrode ensure that every ink droplet is charged negatively.
- These negatively charged ink droplets are deflected by high voltage electrode to exit from print head.
- Charged ink droplet falls on moving substrate to form the print.
- The uncharged ink droplet returns to the ink tank through gutter tube.



Automatic Nozzle Capping™ Technology

KGK Jet Patented Nozzle Capping Technology automatically close the nozzle with gutter, if the printer is not in use. This prevents ink getting exposed to external environment and contamination resulting significant savings for customers.

Simple, Efficient, Stable, Energy Saving and Environment Friendly

Scheduler: Auto Start & Stop



Designed to start the machine immediately even if machine is not operated for very long time. The customer just needs to keep the power supply ON. As per set schedule time, machine will start automatically and calibrate parameters like fluid viscosity & ink delivery systems. No service engineer visit is required resulting in longer up time for the machine.



Stable coding even in humid and dusty environment



New print-head design (P-type) for high-speed & legible coding. Also equipped with Fluorine coated nozzle, which protect print-head from contamination.

Positive air pressure inside the print-head, keeps dust and humidity out, resulting in no contamination of head and ink. Operators need not clean print-head before every start & stop.



Superior printing function



A single nozzle has a maximum longitudinal marginal space of 36 dots which is flexible to meet special information compilation requirements. Customers can freely edit 1-6 lines of text, serial number, linear bar code QR/2D barcode as well as graphics, logo & QR code.



Extended language support & Weighing machine connectivity



Language support for both software & hardware including English, Arabic, Chinese, Korean, Italian, German, Spanish, Iranian & Turkish.

Simple & convenient to integrate with on-line or off-line check-weigher machine of any brand through RS-232, TCP/IP(LAN) with the support of weighing machine suppliers.

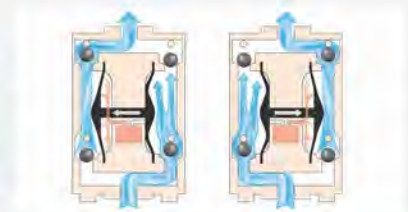


Unique diaphragm pump advantage



KGK Jet use diaphragm pump to generate pressure of delivery system. Diaphragm pump are 97% efficient and considered more reliable over geared pump.

These pumps generate no heat due to friction and provide stable ink composition for KGK Jet machines, also minimal evaporation of ink & solvent results in more savings.



In-house ink development & production



KGK Jet has developed its own ink in response to the various needs of the market In addition to regular inks, we manufacture Food Grade ink, UV ink/Stealth ink also.



Tailor-Made intelligent data communication



Easy integration with customer ERP system or database. Linked through customised special integration software which provide various access right, report generation as well as mailing report to concern team for continuous & batch production.

This in turn allows faster product setup and changeover times, and eliminates recalls and reworking caused by operator error.



Service Management System (SMS)

In-built value-added feature which triggers for a service request



Service Management System SMS is inbuilt diagnostic tool, a value-added feature of KGK Jet CIJ machine. KGK is committed to the reliability of machine, running cost, timely Preventive Maintenance & uptime of machine in which SMS play an important role. The objective of Service Management System (SMS) is to provide uninterrupted & best quality output.

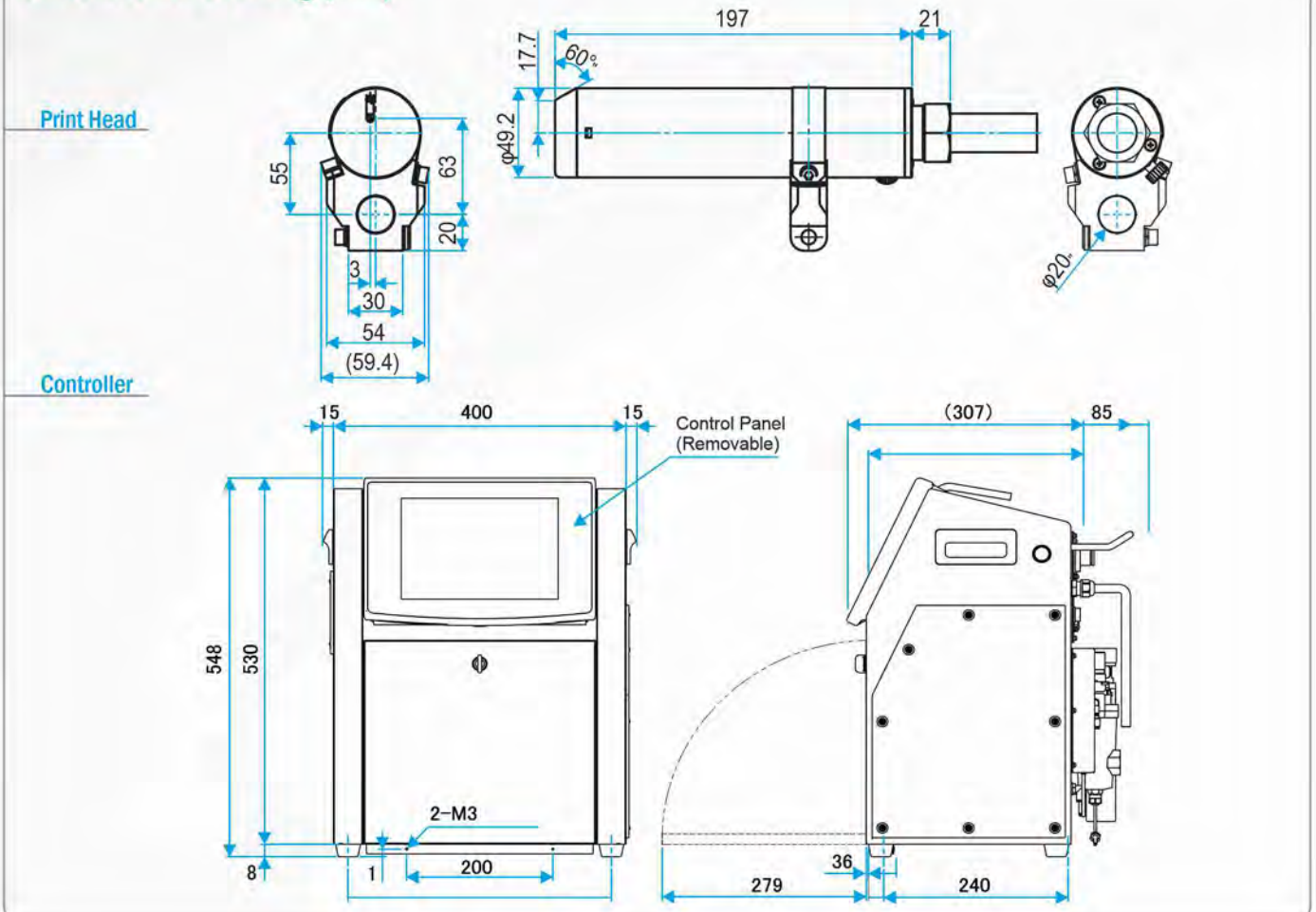
Key Benefits

- Preventive Maintenance for maximum uptime
- Pro-active assistance
- Remote assistance for operators'
- Eliminates operators' errors

How Service Management System Works



Dimensional Drawing (mm)



Specifications

Item	CCS 3100-D	CCS 3100-P
Printing system	Continuous Ink Jet (Continuous Charging System)	
Applicable ink	Dye ink	Pigment ink
Dustproof/waterproof	IP65	IP65
RoHS complied	Yes	
CE certified	Yes	
Screen size	10.4" color LCD / touch panel	
Print-head cable length	Standard 3.5m length (also available in 6m length)	
Nozzle Choice	40µm / 50µm / 60µm	50µm / 60µm
Print height	0.8-5mm (40-µm nozzle), 1-10mm (50-µm nozzle), 2-10mm (60-µm nozzle)	
Max printing speed [characters/second] (5x5 dot with the space of 1 dot)	1780-3200 (depends on nozzle size)	
Print lines and dot configurations	[1 ~ 6 Lines] 5x5, 5xN, [1 ~ 4 Lines] 7x5, 7x8, 7xN, [1 ~ 3 Lines] 9x7, 9x9, 10x8, 12x10, [1 ~ 2 Lines] 16x12, 16x16, [1 Lines] 24x18, 24x24, 32x24, 32x32	
Number of message to store	Max. 999	
Number of character for a message to store	Max. 4096	
Printable character	Alpha-numericals (upper and lower cases), symbols, Japanese Hiragana, Katakana, Kanji, JIS Class I and II, Simplified Chinese, Complicate Chinese (GB2312) and user made characters	
Expiry date/time	Western calendar, other calendar, year/month/d ate, day of the week, hours (12 or 24 hour system), consecutive dates all year round, consecutive ordinal number of weeks all year round, early/ mid/ late month (can change the duration), am/ pm, characters can be substituted by other characters (Year, month, date, hour, minute, second or day of the week can be substituted by other characters between 4 and 15 digits) and shift code	
Numbering	Max. 10 digits, given initial value can be set, counting up/down, carry over to the upper digit (can set as one count by the number of substrates between 1 and 9,999. Zero-suppression: zero in the upper digit can be substituted by space or all characters following zero will be moved forward by eliminating the space for zero). Characters for numbering can be substituted by other characters than numbers, Positional numeral system between binary and hex =decimal.	
Measured length of the substrate	Up to 10 digits, can be divided (insert any of the characters between the numbers).	
Bar code	ITF, Code39, Code128, NW-7, JAN	
2D bar code	QR Code, data matrix	
Kana-to-kanji conversion	Yes	
Connectivity	I/O, Signal light, RS-232C, LAN, Encoder, UPS, USB memory	
Data input	Touch panel, RS-232C communication, Ethernet	
Communication function	RS-232C 1CH maximum 115,200bps, Ethernet	
Multi-control	A maximum of 16 cordless handset (slave) control is possible with one main (master). [Controllable function] start / stop, power OFF, system clock setting, message selection, printing content editing, numbering current value setting.	
Dry air source for air purging in head	Fit tube shape: ø6mm or 8mm Air source pressure: 0.8Mpa or less (air ventilation set included with the unit) Air flow rate: less than 10L / Min (!)	
Net dimensions Main body	Main part: 400Wx307Dx548H (excluding projection) Head: ø49.2mmx197mm	
Environmental conditions	0-40°C (it changes with ink types), 10 to 85% (however, non-condensing)	
Power supply	AC90-264V (47-63Hz), 80W	
Net weight	25kg	
Grounding	Type D	

KGK Jet reserve the right to amend design or specifications without notice.



KGK Jet India Private Limited

Head Office / Works

Plot No: A-29, SIPCOT Industrial Growth Center, Oragadam, Sriperumbuthur, Kancheepuram, Tamil Nadu 602105, India

- ✦ marketing@kgkjetindia.com
- ✦ info@kgkjetindia.com
- ✦ www.kgkjetindia.com

Region North: Cabin # 11, Ground Floor, Logix Techno Park, Plot No. 5 Sector 127, Tower-B, Sector 127, Noida, Uttar Pradesh 201301

Region East: PS QUBE, Unit No- 604, 6th Floor, Plot Number: II D/31/1, Street No: 1111, New Town, Action Area-II D, Kolkata, West Bengal 700156

Region South: Plot No: A-29, SIPCOT Industrial Growth Center, Oragadam, Sriperumbuthur, Kancheepuram, Tamil Nadu 602105

Region West: Horizon Flora, Office No. 1 & 2, 2nd Floor, Ghodbunder Rd, Bhayandarpada, Thane West, Mumbai, Maharashtra 400615

+91 78239 71747

+91 98403 42033

Sales



+91 044 6714 1234

Tech Support